



Frizzenti Equipment Specifications

Coolers

Used to chill the cocktails and wines on demand. The type of cooler we will supply you will depend on

1. Number of taps
2. Level of volume
3. Whether your kegs and cooler sit under the bar or in a cold cellar away from the bar



Maxi 210 shelf cooler

Suitable for events / undercounter installations

Can connect 1 x Frizzenti tap or 2 x cocktails or 2 x wines taps

Dimensions 495mm W x 285mm H x 450mm D



EVO 70 Mini Remote

Suitable for events / undercounter installations

Can connect 2 x Frizzenti taps or 4 x cocktails or 4 x wine taps

Dimensions 650mm H x 455mm W x 425mm D

Manufacturer download <https://www.corneliusbeer.com/en/product/evo-70>



Index 21 Remote Cooler

Suitable for high volume events or cellar installs

Can connect up to 10 products (any mix)

Dimensions 930mm H x 570mm W x 600mm D

Manufacturer download

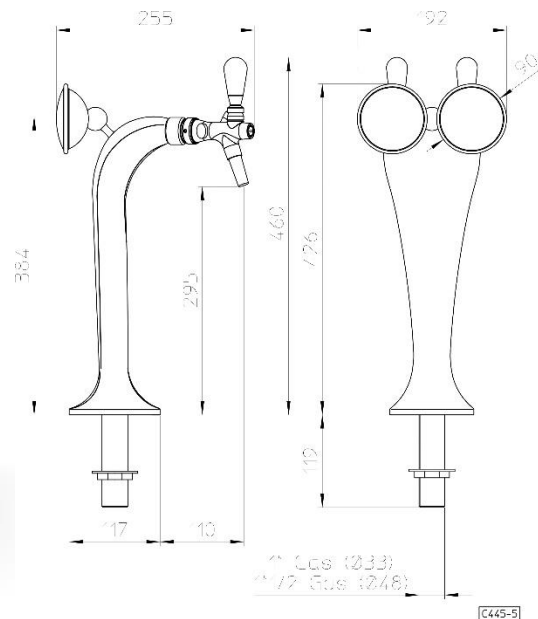
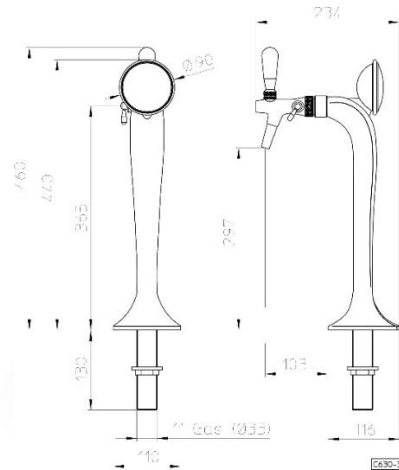
<https://www.corneliusbeer.com/en/product/coldflow-5-r134a-integral>

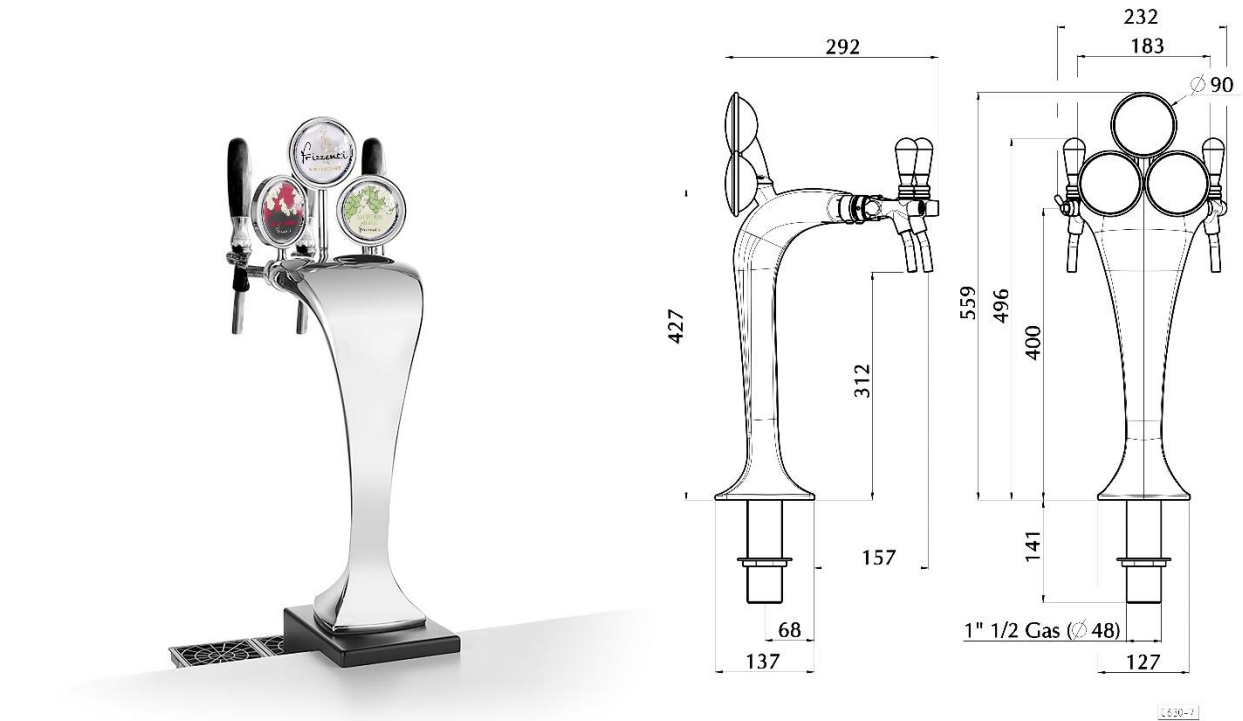
Fonts and taps

Used to pour the product. We are able to source a large range of taps and towers in different styles and types of metal (chrome, brass).

Standard Range (in stock and available immediately):

Available as clamp-on or can be bolted through the bar.





Non-Standard Range (Usually available within 3 weeks from ordering)



Available in 3 – 9 tap formats
 Come as through-the-bar or clamp on
 Ideal for multiple still wine installations
 LED badge holders.



CO2 Gas Cannister

Used to drive the product from the keg and to preserve the sparkle of the wine. CO2 gas must be used for our sparkling wine, however other gases can be used for our still wine range (see FAQ for more information). Standard size is a 6.35kg for CO2 gas.

Frizzenti are not able to provide gas, however you will be able to source locally.

Our kegs

We use two types of keg. Polykeg for our sparkling wines and cocktails and Key Keg for our still wines. Refer to our FAQ's section for more info.



Polykeg – Sparkling Wines

One-way, stackable keg in PET
100% recyclable
Working pressure: max. 3.5 bar
Burst pressure: ~10 bar
Diameter 246 mm
Height 582 mm
Empty Keg Weight 1.61 Kg
Sankey S type coupler



Key Keg - Still Wines

One-way, stackable keg in PET
100% recyclable
Working pressure: max. 3.5 bar
Diameter 240 mm
Height 572 mm
Empty Keg Weight 1.1Kg
Key keg coupler