



## **COOLERS**

Coolers are used to chill your wines on demand. The type of cooler we will supply you with will depend on the number of taps, level of volume and whether your wines will be stored in a chilled cellar or ambient temperature. Please note that sometimes you may be sent a slightly different model to those listed below therefore dimensions can vary slightly. If you need to know exact measurements please specify and we will be able to confirm exactly what you will receive.



### **Maxi 210 shelf cooler**

Dimensions 495mm W x 285mm H x 450mm D

Manufacturer download

<http://www.cornelius.com/~media/Files/I/IMI-Cornelius/spec-sheets/beer-and-cider/maxi-210.pdf>



### **EVO 70 Mini Remote**

Dimensions 650mm H x 455mm W x 425mm D

Manufacturer download

<http://www.corneliusbeer.com/product/evo/evo-70>



### **Index 21 Remote Cooler**

Dimensions 930mm H x 570mm W x 600mm D

Manufacturer download

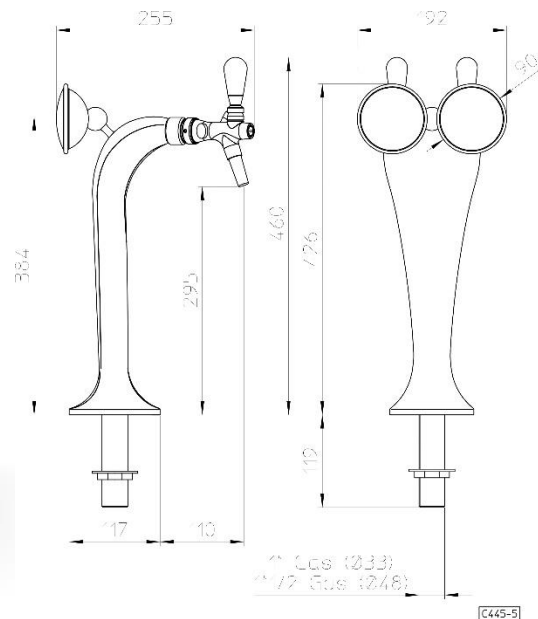
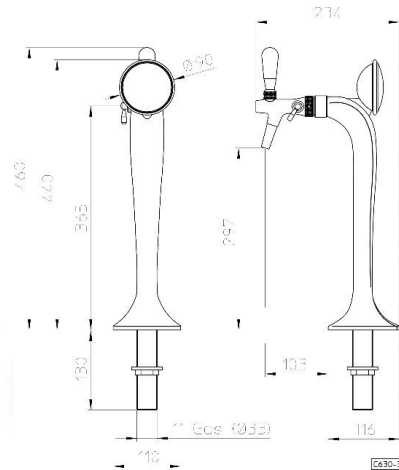
<http://www.cornelius.com/~media/Files/I/IMI-Cornelius/spec-sheets/beer-and-cider/index21-watercooled.pdf>

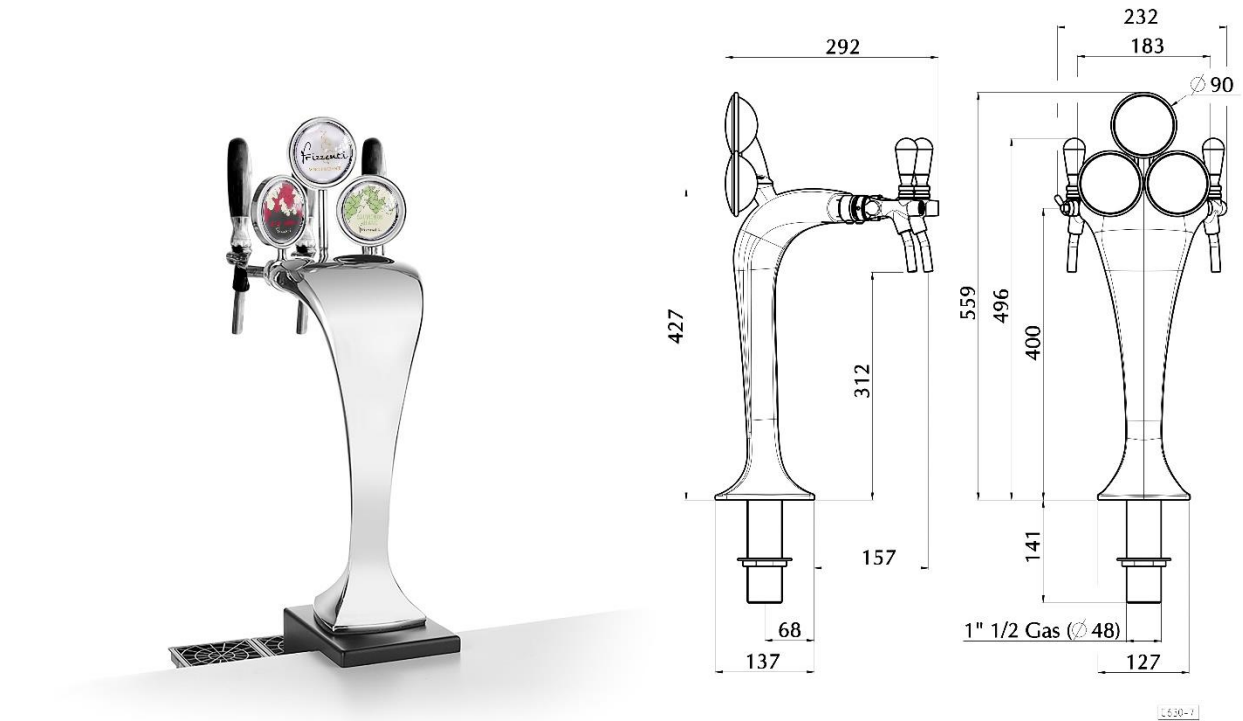
## FONTS & TAPS

Taps are used to pour the wine. We are able to source a large range of taps and towers in different styles and types of metal (chrome, brass).

### Standard Range (in stock and available immediately)

Available as clamp-on or can be bolted through the bar.





**Non-Standard Range** (Usually available within 3 weeks from ordering)



Available in 3 – 9 tap formats  
 Come as through-the-bar or clamp on  
 Ideal for multiple still wine installations  
 LED badge holders.



**CO2 Gas Cannister**

Used to drive the product from the keg and to preserve the sparkle of the wine. CO2 gas must be used for our sparkling wine, however other gases can be used for our still wine range (see FAQ for more information). Standard size is a 6.35kg for CO2 gas.

Frizzenti are not able to provide gas, however you will be able to source locally.

## **OUR KEGS**

We use two types of keg. Polykeg for our sparkling wines and Key Keg for our still wines. Refer to our FAQ's section for more info.



### **Polykeg – Sparkling Wines**

One-way, stackable keg in PET  
100% recyclable  
Working pressure: max. 3.5 bar  
Burst pressure: ~10 bar  
Diameter 283 mm  
Height 504 mm  
Empty Keg Weight 1.61 Kg  
Sankey S type coupler



### **Key Keg - Still Wines**

One-way, stackable keg in PET  
100% recyclable  
Working pressure: max. 3.5 bar  
Diameter 240 mm  
Height 572 mm  
Empty Keg Weight 1.1Kg  
Key keg coupler

## Our Installations

We have the ability to install anywhere in the UK within 2 weeks and can attend service breakdowns within 6 hours, using our trusted National Service Provider. We install in some unusual locations and can overcome the most challenging install requirements. Here are some examples.

### Mobile Installation

Number of taps: 1

Product type: Frizzenti, Vino Frizzante

Cellar Y/N?: No, product stored at ambient temperature.

Notes: Frizzenti installed into a Piaggio Ape. Product double chilled through a maxi 210. Tap heads boled to side of vehicle.



### Café Install – 4 products

Number of taps: 4

Product type: Frizzenti, Vino Frizzante, Pinot Grigio, Sauvignon Blanc and Cabernet Sauvignon.

Cellar Y/N?: No, product stored at ambient temperature.

Notes: Tap room installed in small café onto back back. Mini remote and python with 4 taps.



Python to chill product to back to tap

Primary and secondary gas regulators

Mini remote

Restaurant install – 12 products

Number of taps 12.

Product type: Frizzenti sparkling and still wines

Cellar Y/N?: Yes, products stored in a cellar at 13 degrees

Notes: Tap room installed in premium bar / restaurant.

